



**Model number**

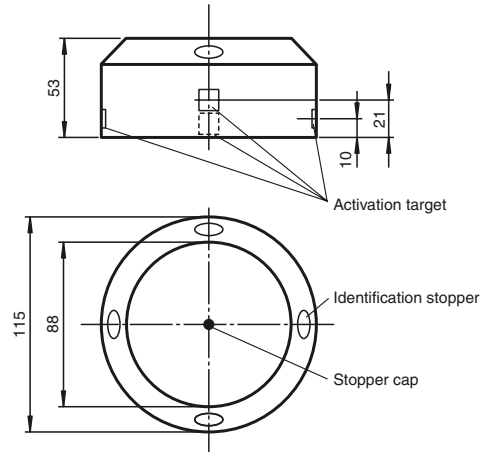
**BT115**

Activator for F31 series

**Features**

- Four fixed actuating lugs, offset by 90°

**Dimensions**



**Technical data**

**General specifications**

Ring diameter	≤ 110 mm
Spring ring height	≤ 7 mm

**Ambient conditions**

Ambient temperature	-25 ... 70 °C (248 ... 343 K)
---------------------	-------------------------------

**Mechanical specifications**

Shaft diameter	< 90 mm
Shaft height	30 mm and 50 mm
Fixing hole pattern	30 x 130 mm
<b>Material</b>	
Spacer disk	PBT (2 units, 10 mm strong)
Stopper cap	PBT (1 unit black)
Identification stopper	PBT (2 units yellow, 2 units black)
Fixing screw	for activator: V2A (1 unit M6 x 25) for sensors - F31: V2A (4 items M5 x 16, 2 items M5 x 12)
Activation target	V2A (integrated)

**Notes**

The activator consists of a conductive plastic material which prevents static charging and allows installation in potentially explosive environments.